

MPO TO Dual LC Device
10 X MPO TO 40 X Dual LC 1U Rack

Fiberwdm provides MPO to dual LC device, can support 10 X 40G/ 100G MPO connectors to 40 X 10G/25G dual LC connectors. The device can be SM or MM, and 1U rack.

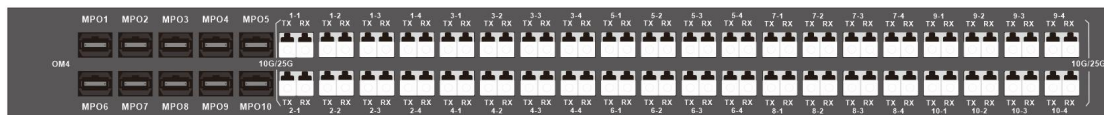
Product Specification

| Parameter | SM | | MM | |
|-------------------------|--------------------------------------|---------|---------|---------|
| | MPO/APC | LC/UPC | MPO/UPC | LC/UPC |
| IL (Insertion Loss) | ≤0.35dB | ≤0.15dB | ≤0.35dB | ≤0.15dB |
| RL (Return Loss) | ≥45 dB | ≥50 dB | ≥25 dB | ≥35 dB |
| Fiber Type | SMF-28e | | OM4 | |
| Durability (dB) | ≤0.2dB (500 Matings,per EIA-455-21A) | | | |
| Tensile Strength (dB) | ≤0.3dB (Max 66N) | | | |
| Operation Temperature | -20 ~+70 °C | | | |
| Storage Temperature | -40 ~+80 °C | | | |
| Dimensions (HxWxD) | 483 (L) x 44(H)x230(W)mm | | | |

Product Panel

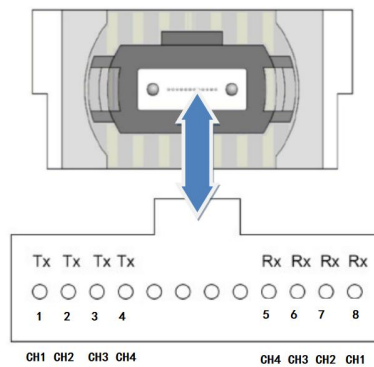


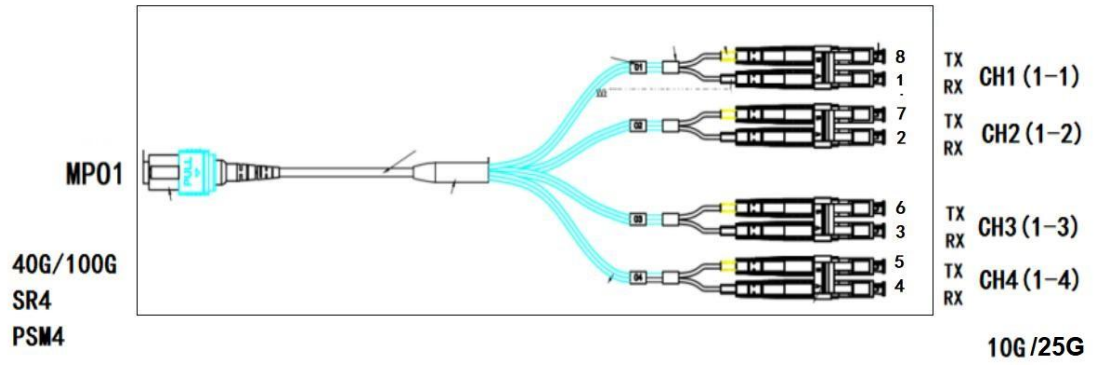
MPO TO Dual LC SM



MPO TO Dual LC MM

Internal connection diagram



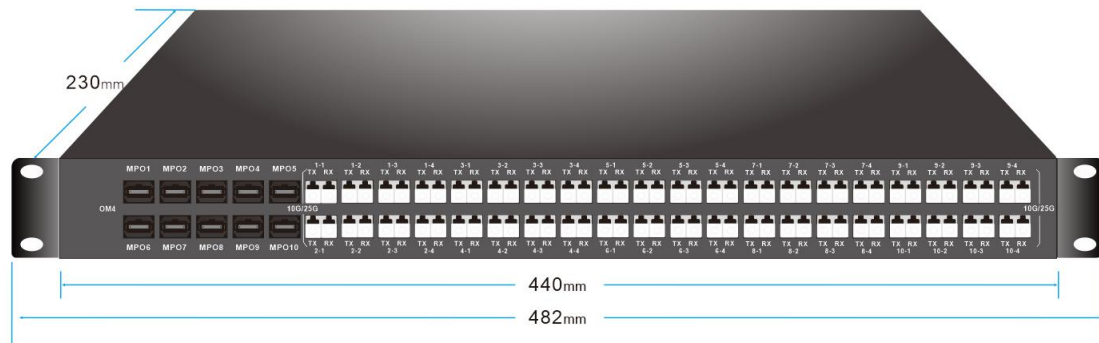


MPO To Dual LC

| MPO Connector | Dual LC Connector |
|---------------|-------------------|
| MPO1 | 1-1 |
| | 1-2 |
| | 1-3 |
| | 1-4 |
| MPO2 | 2-1 |
| | 2-2 |
| | 2-3 |
| | 2-4 |
| MPO3 | 3-1 |
| | 3-2 |
| | 3-3 |
| | 3-4 |
| MPO4 | 4-1 |
| | 4-2 |
| | 4-3 |
| | 4-4 |
| MPO5 | 5-1 |
| | 5-2 |
| | 5-3 |
| | 5-4 |
| MPO6 | 6-1 |
| | 6-2 |
| | 6-3 |
| | 6-4 |
| MPO7 | 7-1 |
| | 7-2 |
| | 7-3 |
| | 7-4 |
| MPO8 | 8-1 |

| | |
|-------|------|
| | 8-2 |
| | 8-3 |
| | 8-4 |
| MPO9 | 9-1 |
| | 9-2 |
| | 9-3 |
| | 9-4 |
| MPO10 | 10-1 |
| | 10-2 |
| | 10-3 |
| | 10-4 |

Package Information



MPO TO Dual LC 1U Rack

Order Information

| Product No. | Product description |
|--------------------|---|
| RD-10MPO12-40LC-SM | MPO to dual LC device, 10 X 40G/ 100G MPO/UPC to 40 X 10G/25G dual LC/UPC, SM,1U Rack |
| RD-10MPO12-40LC-MM | MPO to dual LC device, 10 X 40G/ 100G MPO/UPC to 40 X 10G/25G dual LC/UPC, MM,1U Rack |